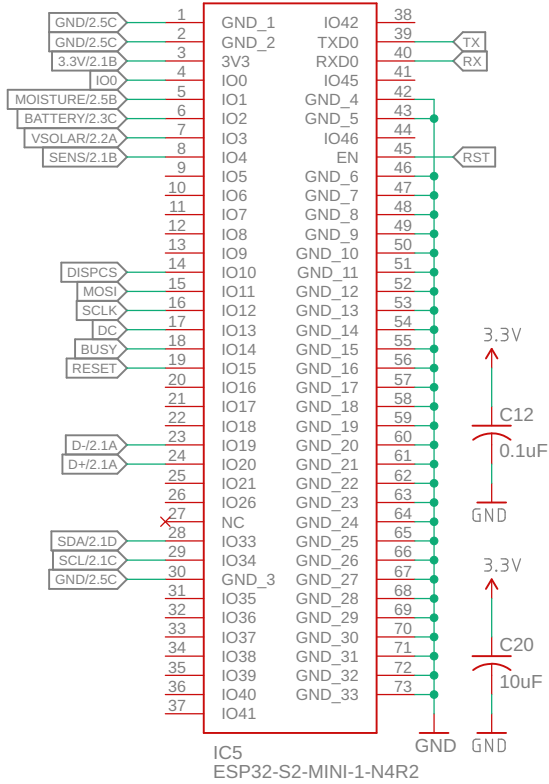
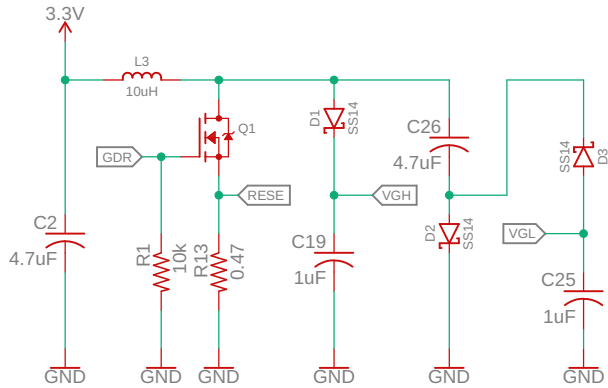


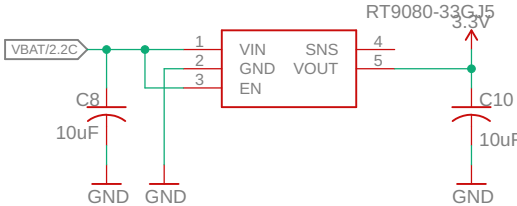
Microcontroller



eInk Display



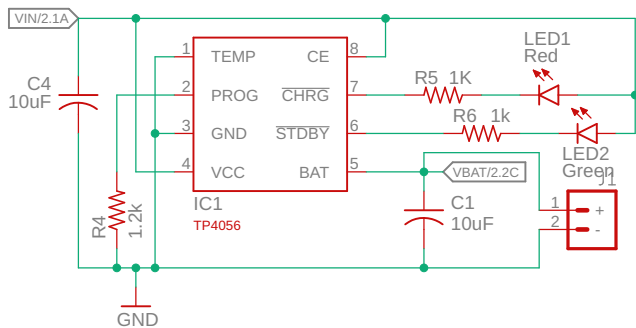
Power reg



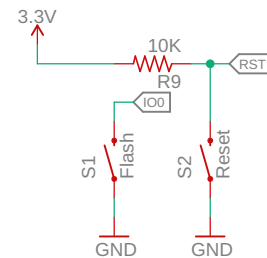
Battery charger

R4 [k] - IBAT [mA]

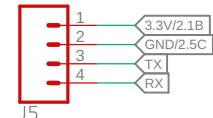
10 - 130
5 - 250
4 - 300
3 - 400
2 - 580
1.66 - 690
1.5 - 780
1.33 - 900
1.2 - 1000



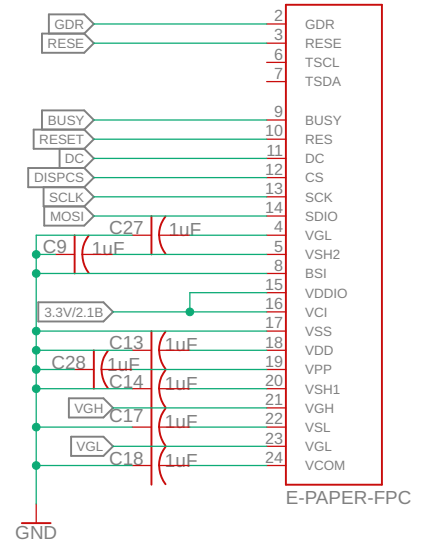
Reset & Flash switches



Serial port



FPC

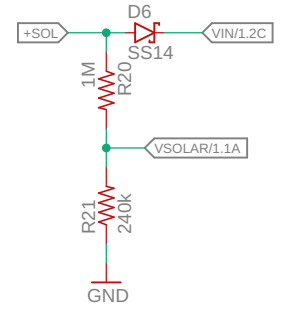
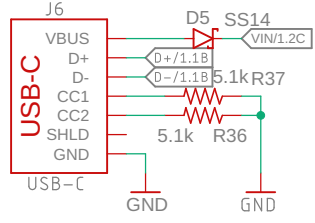


Smart\_Plant

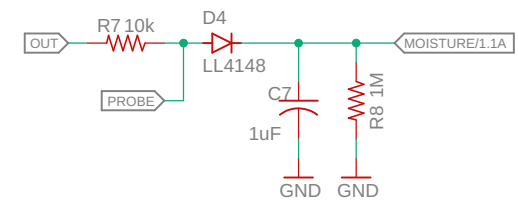
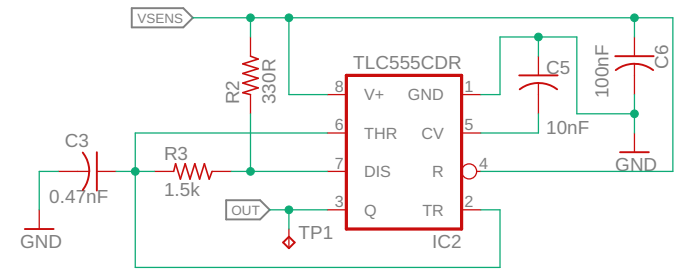
16/08/2023 20:22

Sheet: 1/2

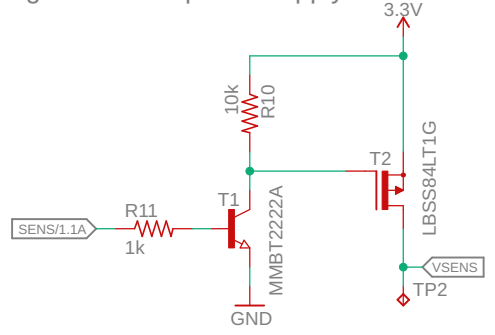
### Input power/data connectors



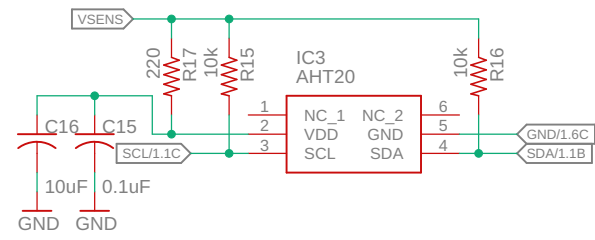
### Capacitive moisture sensor



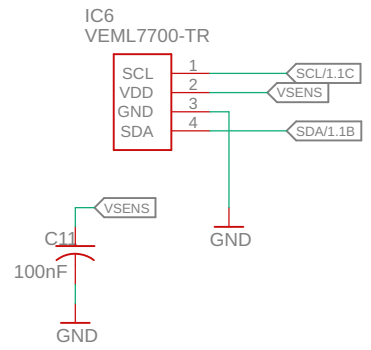
### High switch for power supply



### Temperature & humidity sensor



### Light sensor



### Battery monitoring

