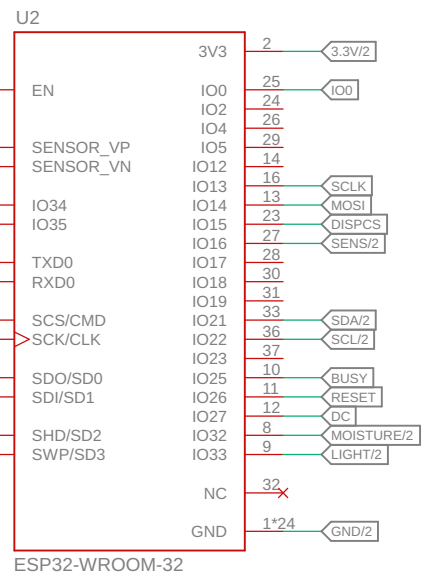
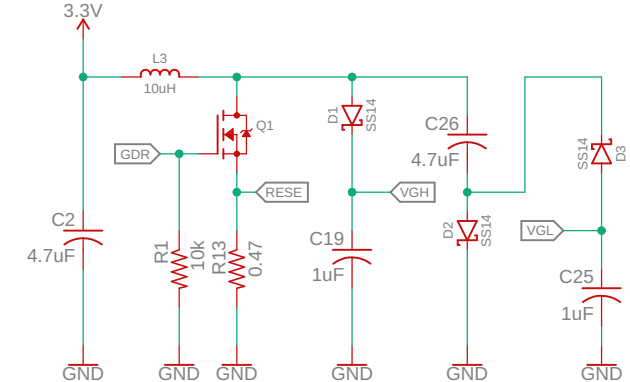


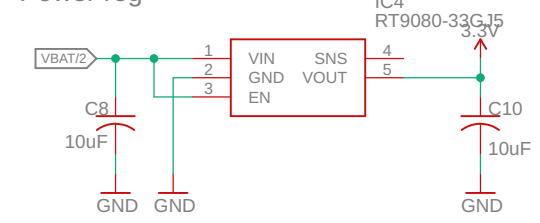
Microcontroller



eInk Display



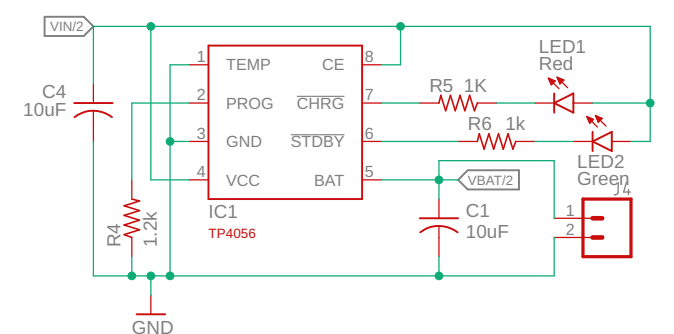
Power reg



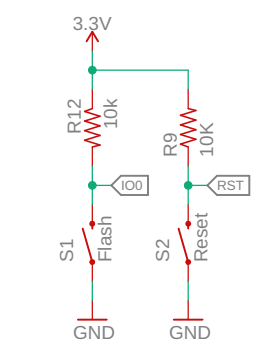
Battery charger

R4 [k] - IBAT [mA]

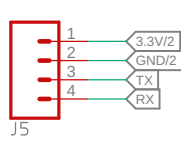
10 - 130
5 - 250
4 - 300
3 - 400
2 - 580
1.66 - 690
1.5 - 780
1.33 - 900
1.2 - 1000



Reset & Flash switches

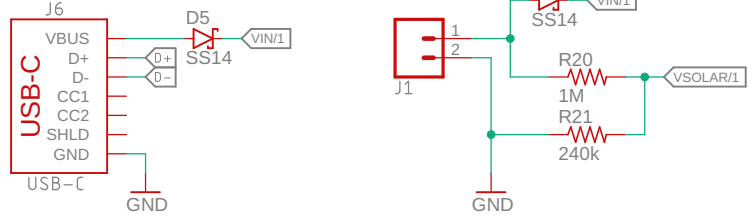


Serial port

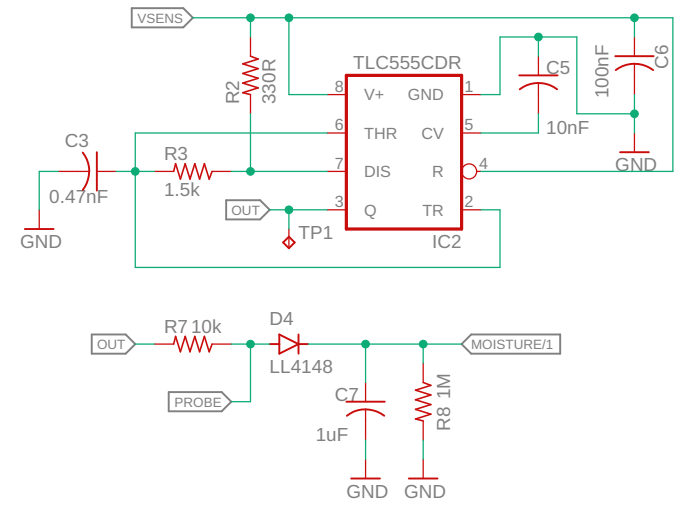


Smart\_Plant  
05/03/2023 20:20  
Sheet: 1/2

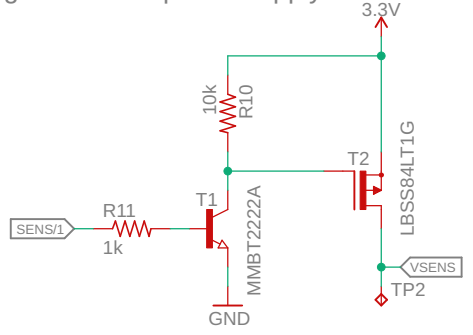
Input power/data connectors



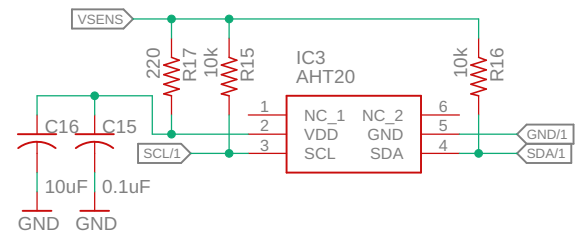
Capacitive moisture sensor



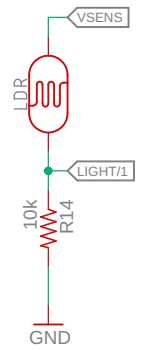
High switch for power supply



Temperature & humidity sensor



Light sensor



Battery monitoring

