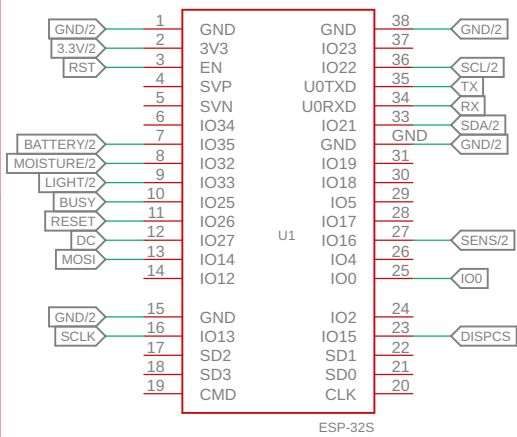
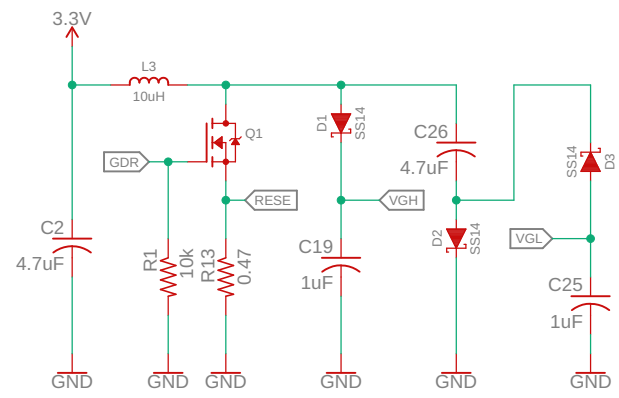


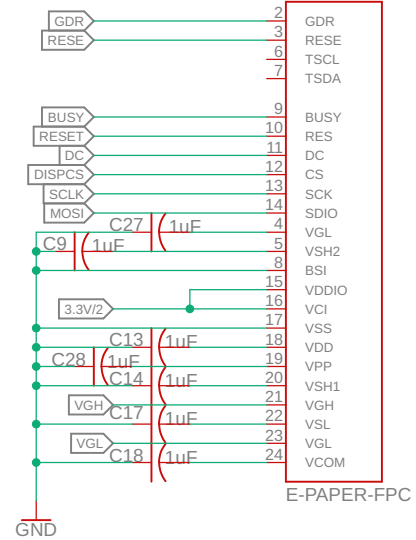
Microcontroller



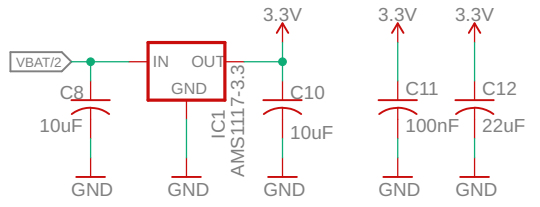
eInk Display



FPC



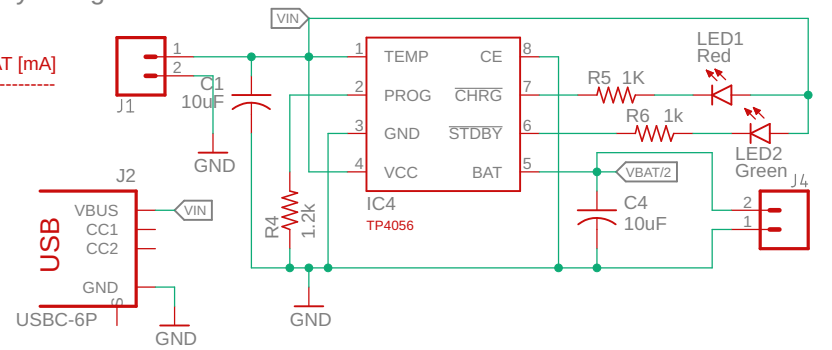
Power reg



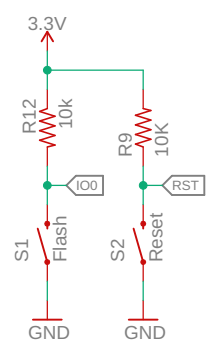
Battery charger

R4 [k] - IBAT [mA]

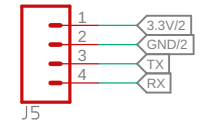
10 - 130
5 - 250
4 - 300
3 - 400
2 - 580
1.66 - 690
1.5 - 780
1.33 - 900
1.2 - 1000



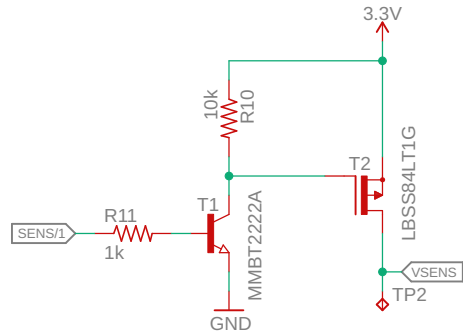
Reset & Flash switches



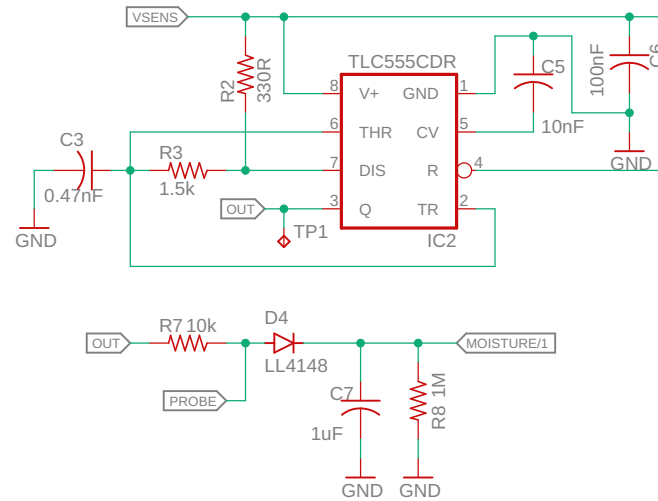
Serial port



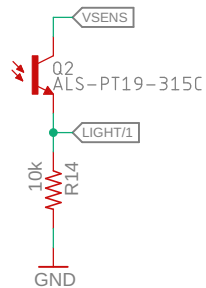
### High switch for power supply



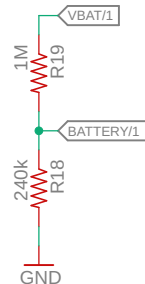
### Capacitive moisture sensor



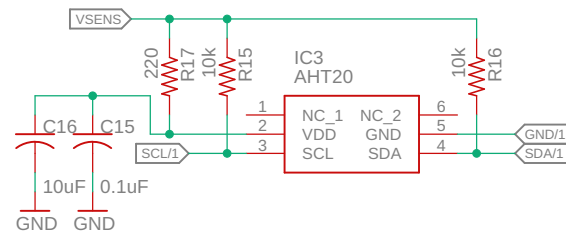
### Light sensor



### Battery monitoring



### Temperature & humidity sensor



Smart\_Plant

12/02/2023 20:06

Sheet: 2/2